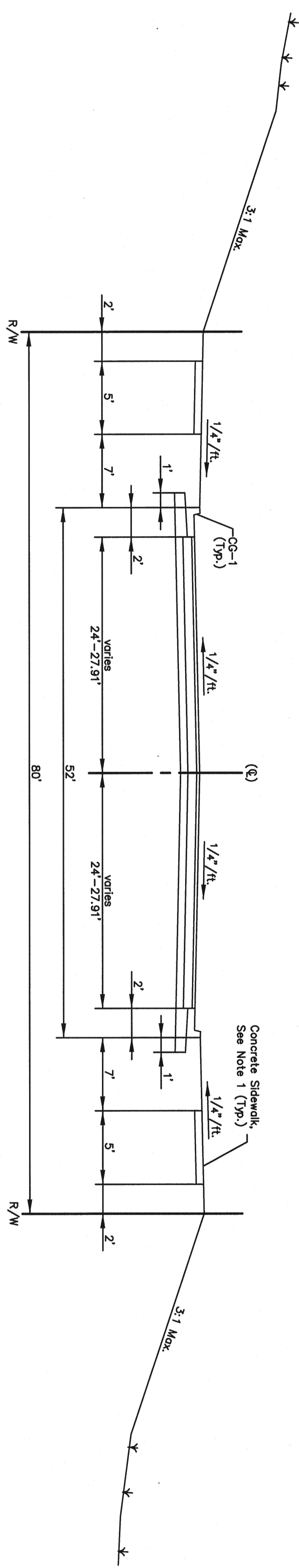


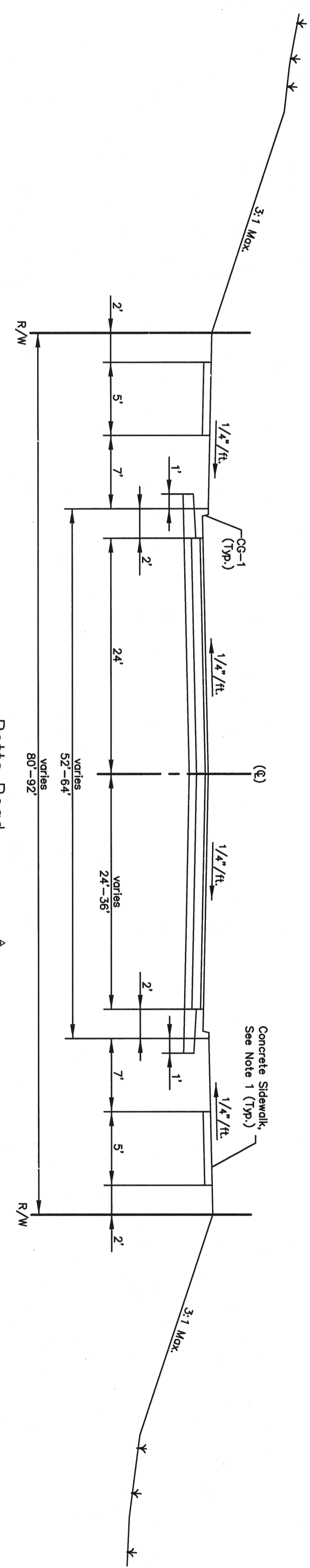
Private Grading
 See Note 2
 All Typical Sections
 Private Grading
 See Note 2



Botts Road
 Sta. 12+13.25 to Sta. 13+78.22
 (Minor Arterial) Typical Section
 Scale: N.T.S.

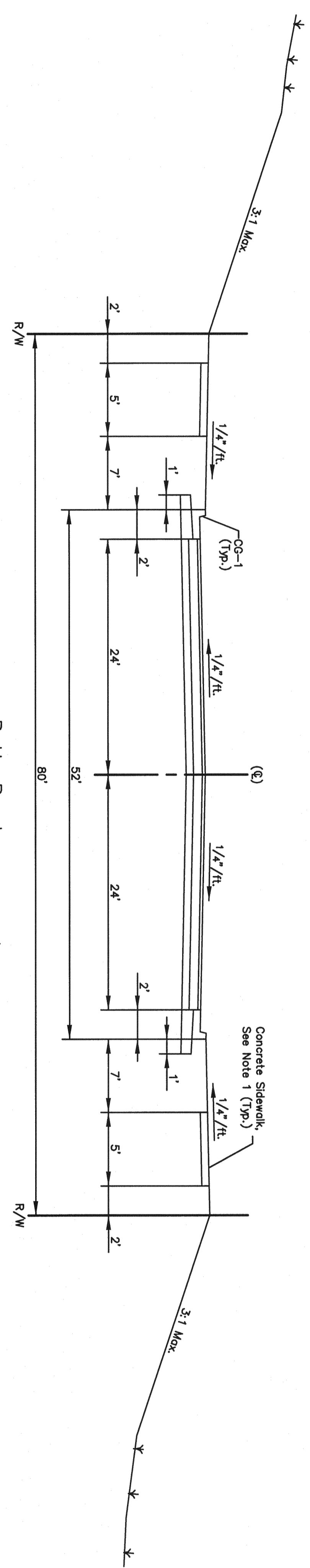
- 2" TYPE 3-01 ASPHALTIC CONCRETE SURFACE
- 6" MIN. COMPACTED SUBGRADE
- 95% OF STANDARD MAX. DENSITY

Notes:
 1. Typical Sections are shown for Grading Purposes only. Pavement, Cuts, and Sidewalk are not in Contract.
 2. Delineation of Public vs. Private Grading is made at the Right-of-Way for the entire depth of the Cross-Section.



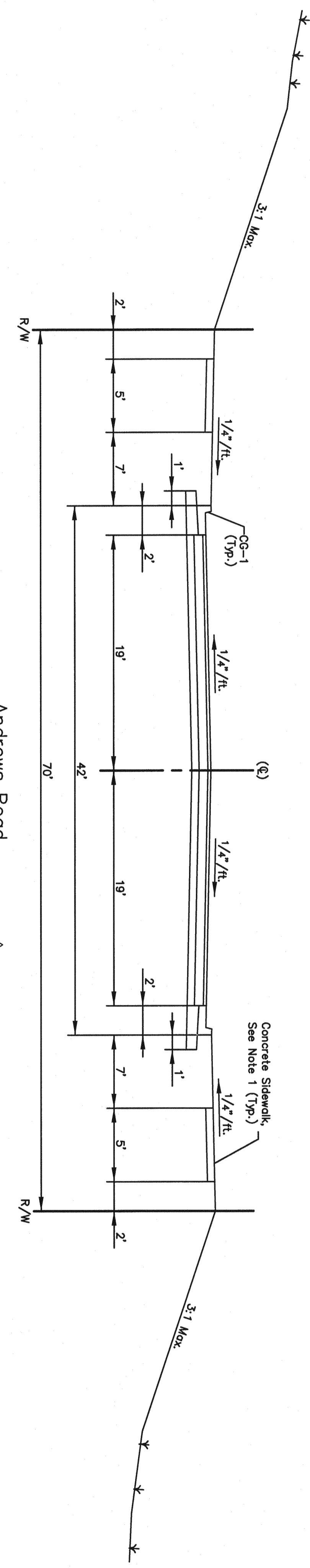
Botts Road
 Sta. 13+78.22 to Sta. 15+22.22
 (Minor Arterial) Typical Section
 Scale: N.T.S.

- 2" TYPE 3-01 ASPHALTIC CONCRETE SURFACE
- 6" MIN. COMPACTED SUBGRADE
- 95% OF STANDARD MAX. DENSITY



Botts Road
 Sta. 15+22.22 to Sta. 44+83.03
 (Minor Arterial) Typical Section
 Scale: N.T.S.

- 2" TYPE 3-01 ASPHALTIC CONCRETE SURFACE
- 6" MIN. COMPACTED SUBGRADE
- 95% OF STANDARD MAX. DENSITY



Andrews Road
 Sta. 10+00 to Sta. 54+36.70
 (Industrial Collector) Typical Section
 Scale: N.T.S.

- 2" TYPE 3-01 ASPHALTIC CONCRETE SURFACE
- 6" MIN. COMPACTED SUBGRADE
- 95% OF STANDARD MAX. DENSITY

DATE	P.E. SIGNATURE	DESCRIPTION
08-07-07	R.J.S.	Prepared for Review.
11-16-07	R.J.S.	Issued for bid
02-13-08	R.J.S.	Revised typical sections

TYPICAL SECTIONS
CENTERPOINT-KCS
INTERMODAL CENTER

Location: N:\Engineering\Richard Gebaur - 07165 & 07166\Drafting\Mass Grading & Land Disturbance\TYP1-07165.dwg

LUTJEN

ROBERT J. LUTJEN
 PROFESSIONAL ENGINEER
 LICENSE NO. 10000
 REGISTERED PROFESSIONAL ENGINEER
 MASSACHUSETTS

Designed By: B.A.C.
 Drafted By: J.M.W.
 Lutzen Project No.: 07168

Sheet No.: **19**